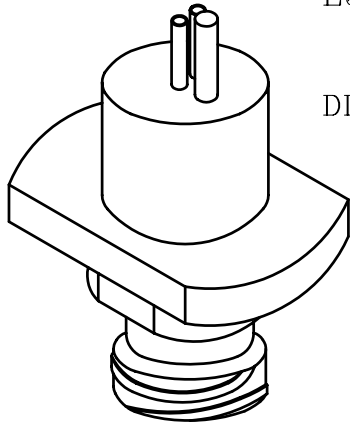


# JUKI DISPENSING NOZZLE

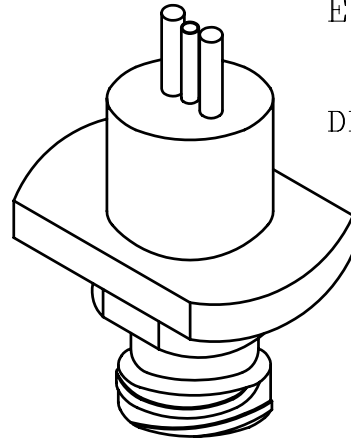


E3401-802-000

JUKI, KD775

DISPENSING NZ. S  
2D/1S

O.D. =  $\phi 0.6$   
I.D. =  $\phi 0.3$   
P=0.7

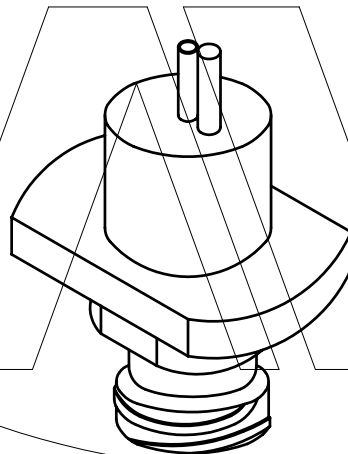


E3406-802-000

JUKI, KD775

DISPENSING NZ. M  
1D/2S

O.D. =  $\phi 0.7$   
I.D. =  $\phi 0.4$   
P=1.0

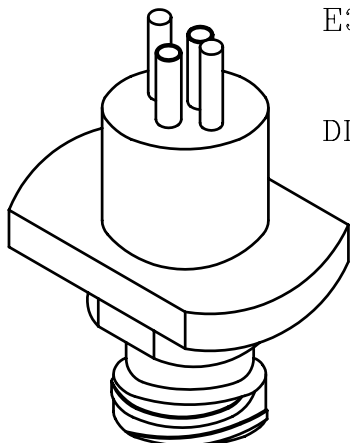


E3411-802-000

JUKI, KD775

DISPENSING NZ. L  
1D/1S

O.D. =  $\phi 0.9$   
I.D. =  $\phi 0.6$   
P=1.5

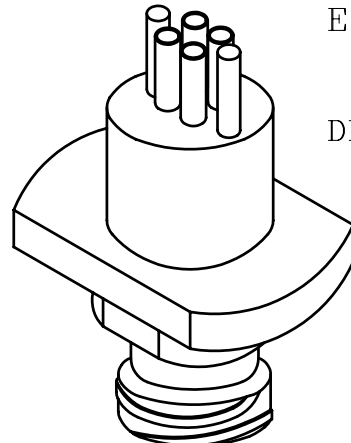


E3416-802-000

JUKI, KD775

DISPENSING NZ. LL  
2D/2S

O.D. =  $\phi 1.3$   
I.D. =  $\phi 0.9$   
P=2.0



E3421-802-000

JUKI, KD775

DISPENSING NZ. XL  
4D/2S

O.D. =  $\phi 1.3$   
I.D. =  $\phi 0.9$   
P=1.5